

These plans are the property of Salah E. Diab, P.E., Seda Consulting Engineers, Inc. and/or FMJR Design and are not to be reproduced, traced, or reused for construction without the written permission of Salah E. Diab, P.E., FMJR Design and/or Seda Consulting Engineers, Inc. These Plans are intended to provide the construction information necessary to build this structure. Builder/Owner shall verify and check all dimensions prior to construction. Limit of Engineer's or Companies' liability not to exceed fee paid for plans.

# Concrete

- Concrete shall develop a 28-day compressive stress ( $P_c$ ) of at least 3000 psi, and shall be in accordance with ACI 301. Cement shall be type 1 (gray). Contractor shall be responsible for determining that the mix design is suitable for its intended purpose.
- Concrete that has not been placed prior to 1.5 hours after the initial mixing water was added shall not be placed regardless of temperature or slump.

## General Notes:

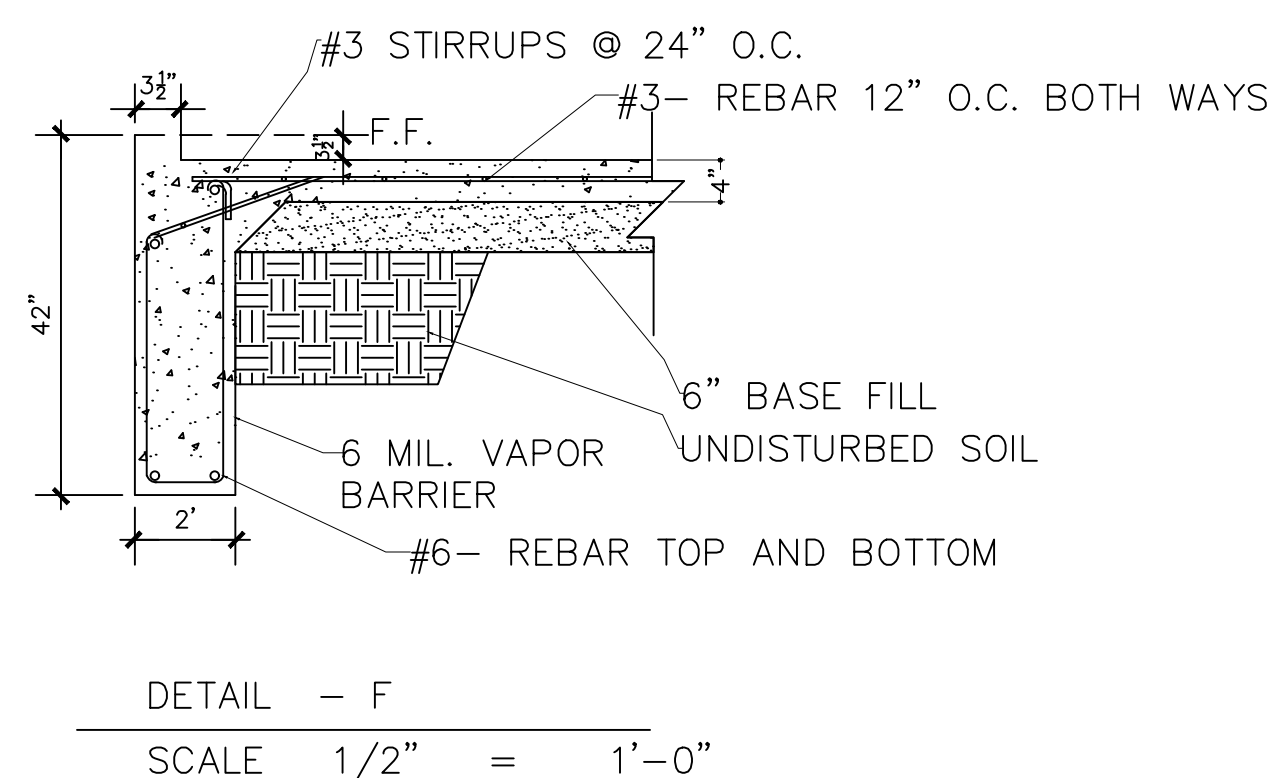
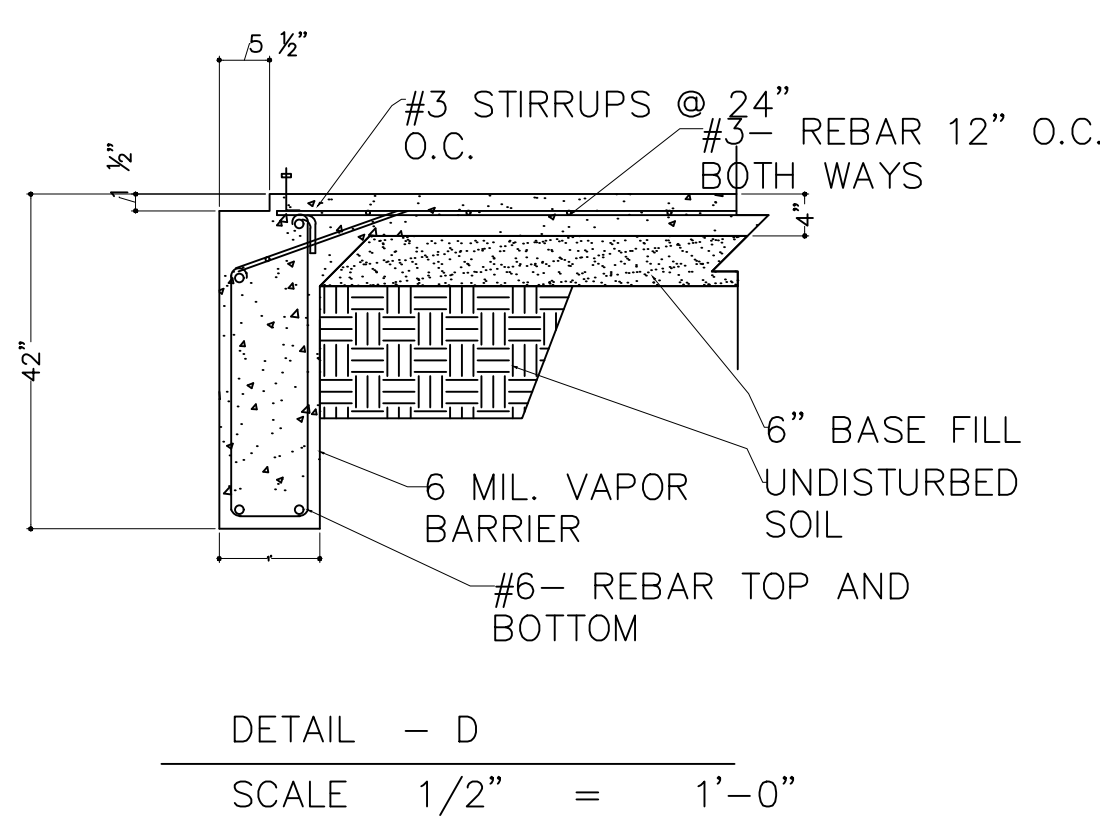
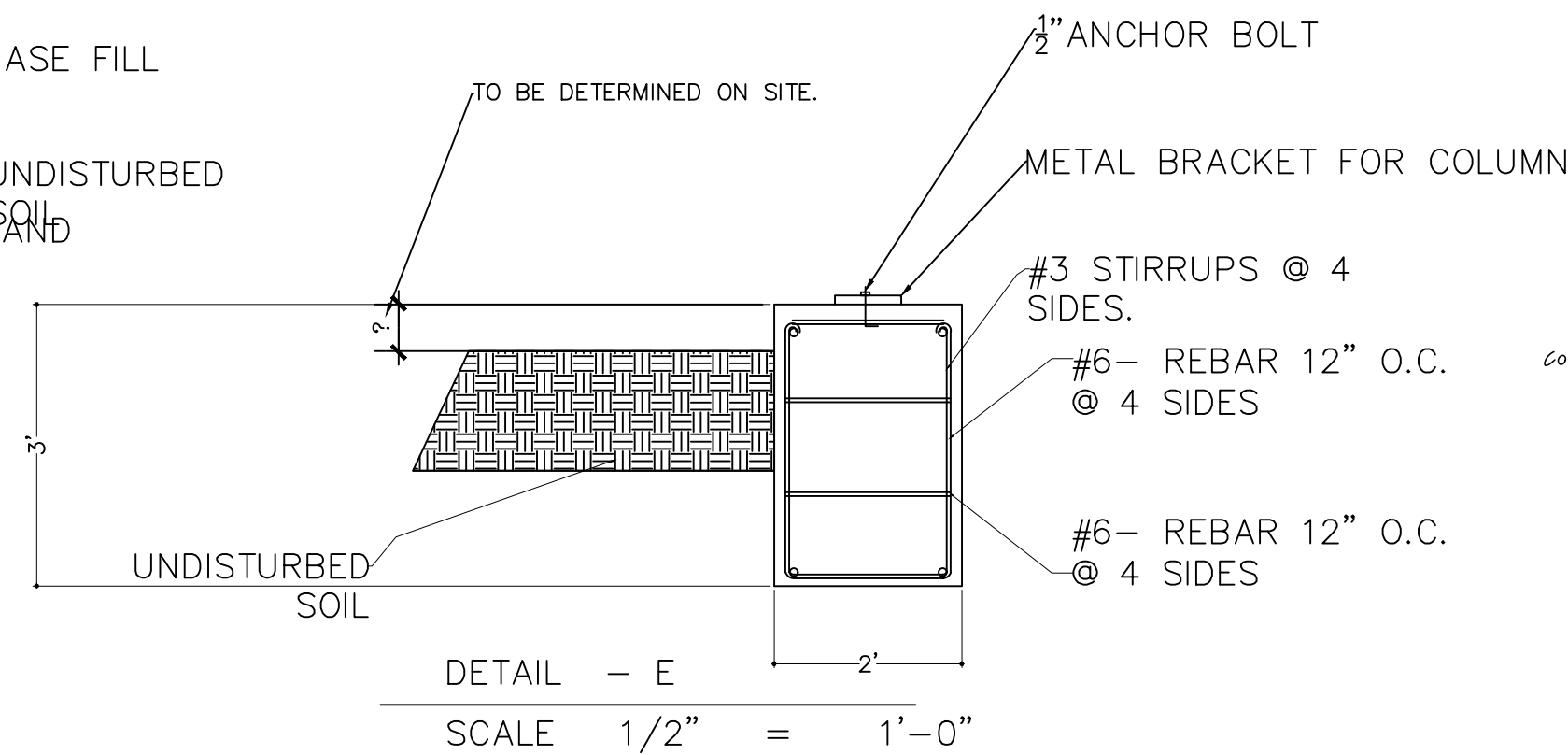
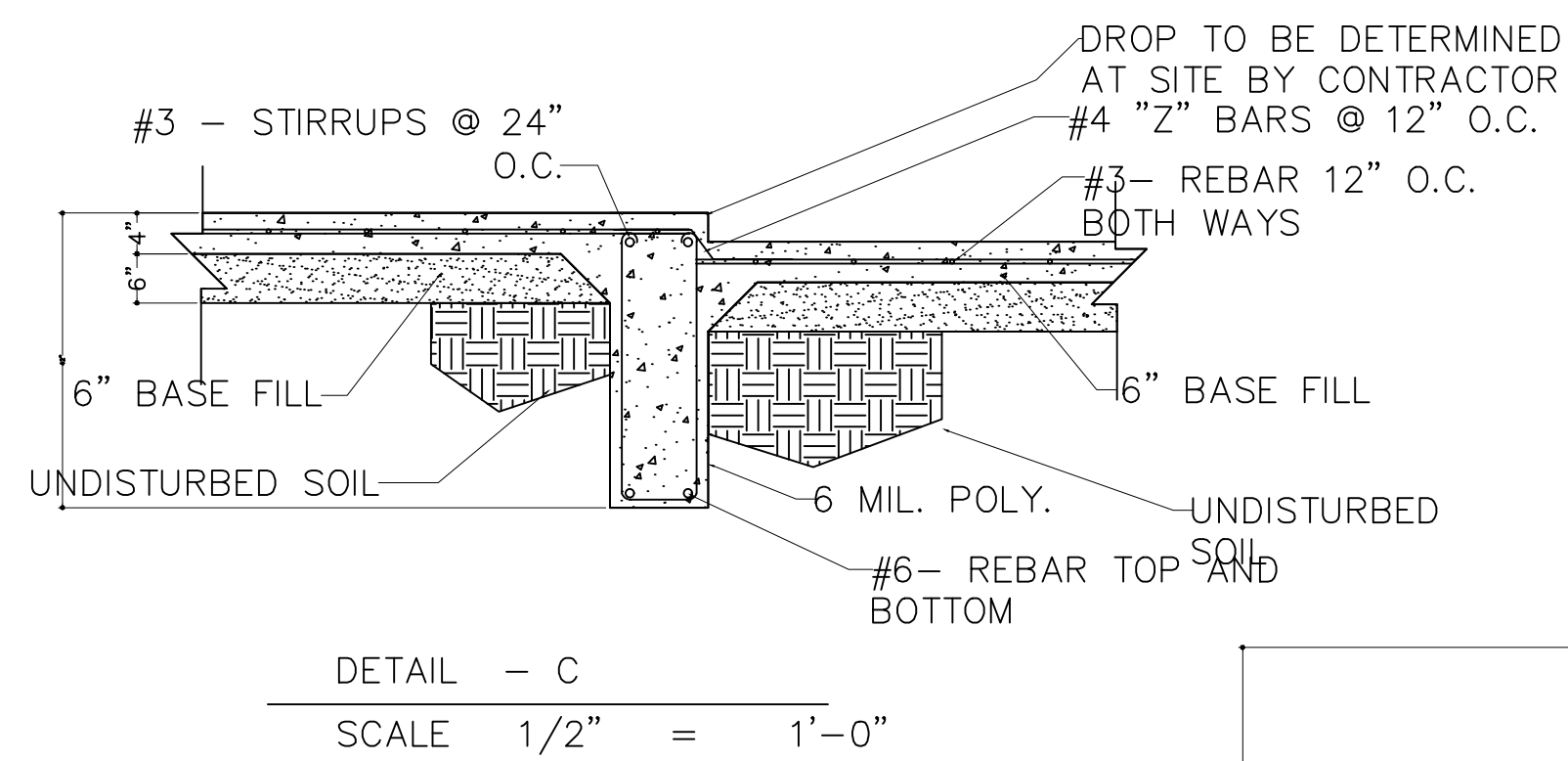
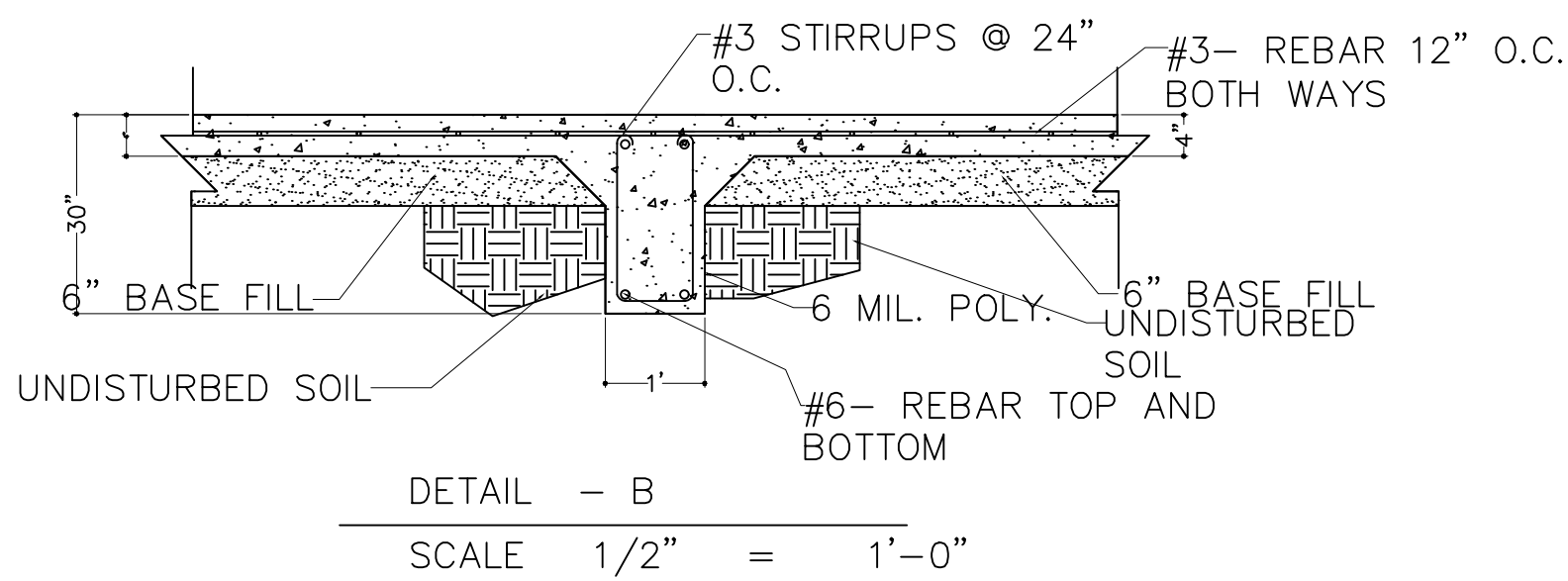
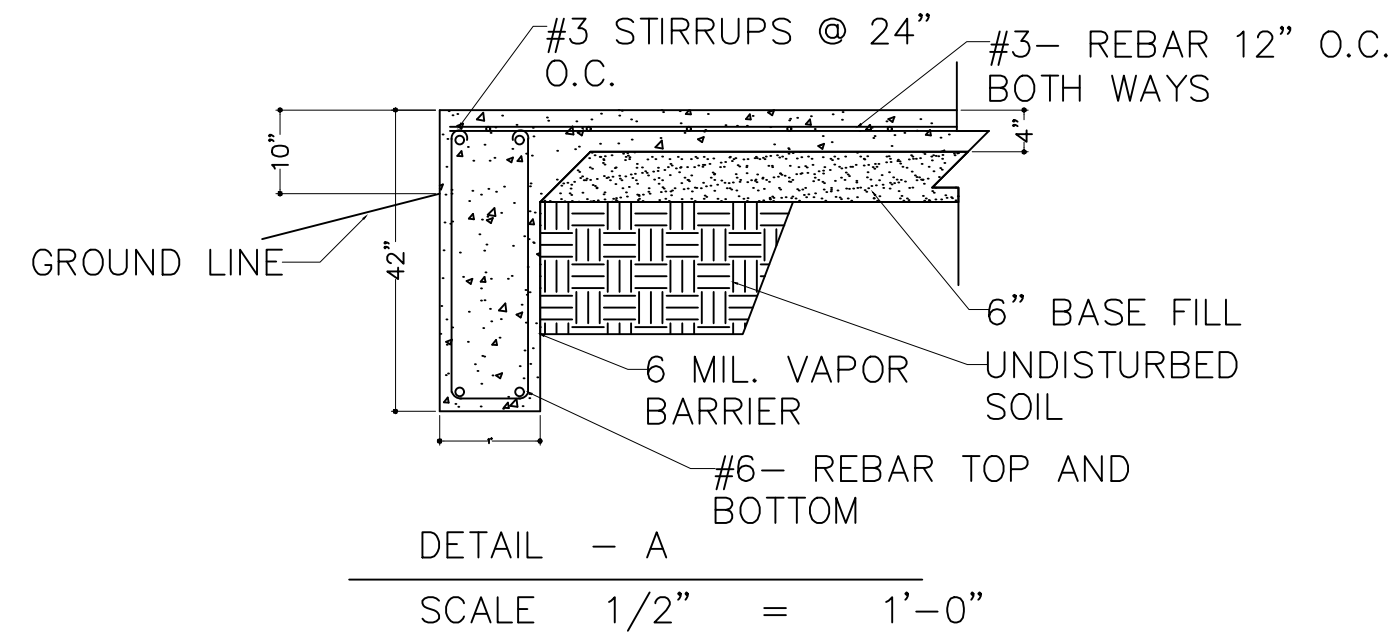
- Installation Contractor to verify all dimensions, elevations, and existing field conditions.
- Any discrepancies and inconsistencies between actual field conditions and/or dimensions and plan dimensions shall be immediately reported to the design engineer.
- 2024 International Building Code is the basic code document used in the preparation of these structural documents. Additional codes and references are as noted. All structural work shall be in conformance with all local codes, in addition to this basic code document.
- All phases of the work shall conform to the minimum standards of the 2024 International Building Code and all other regulating agencies exercising authority over any portion of the work.
- The contract structural drawings and specifications represent the finished structure unless otherwise indicated. they do not indicate the method of construction. The erection and installation contractor shall provide all necessary equipment to protect the structure, workmen and all other persons during construction.
- All ASTM specifications noted in this drawing shall be of the latest revisions.
- In the event certain features of the construction are not fully shown on the drawings or character as for similar conditions that are shown or called for and shall be reviewed by the design engineer.
- Specific notes and details shall take precedence over typical notes and details.
- Building layout shall be by a registered surveyor.
- Duty of Cooperation: Issuance of these structural documents (drawings and specifications) contemplates further cooperation among all parties involved. Design and construction are complex, and although the design services have been performed with due care and diligence, perfection cannot be guaranteed. Communication is necessary and any structural discrepancy shall be reported immediately to the Engineer whose interpretation shall be final.

# Concrete Reinforcing

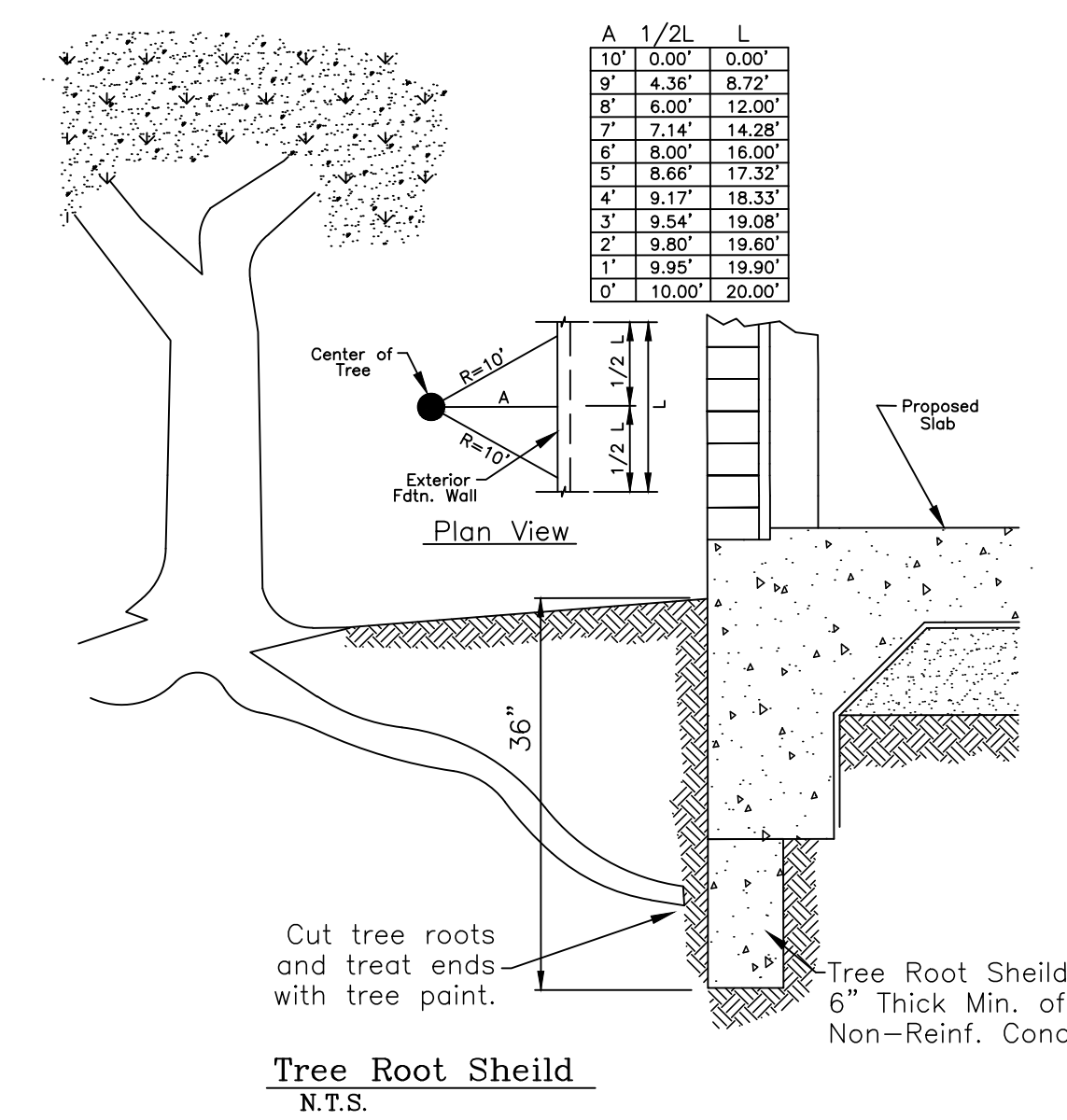
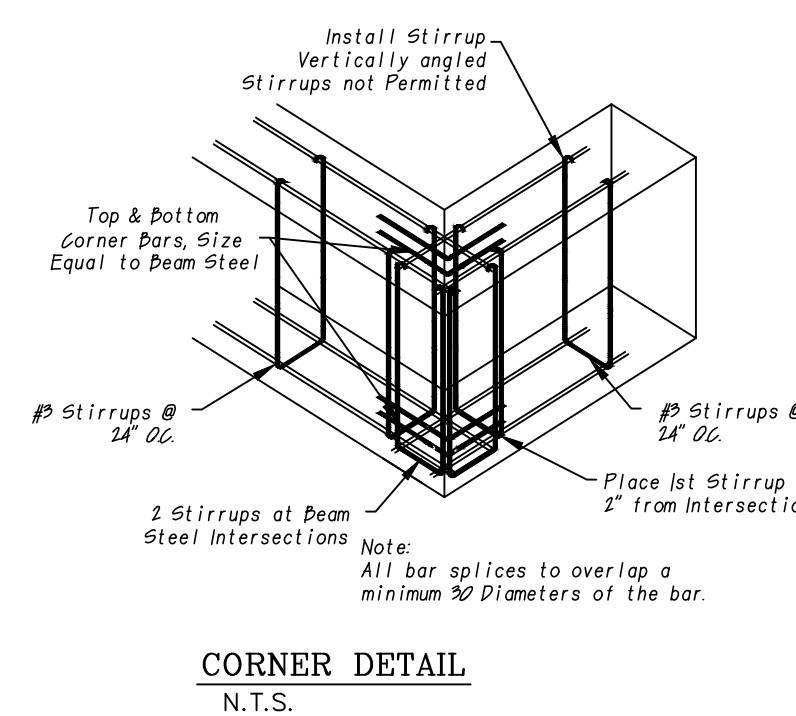
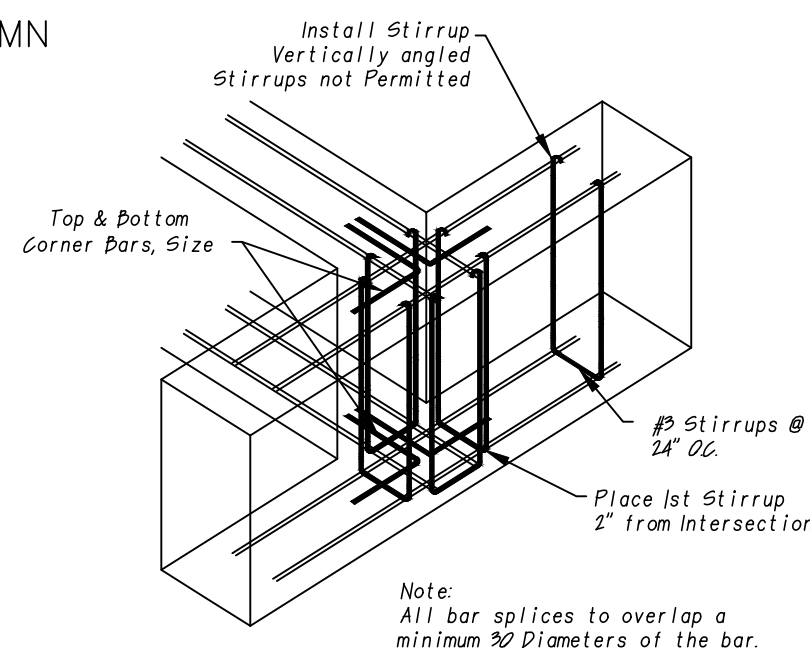
- ASTM standards A-615, grade 60 U.N.O. on plans CRSI and ACI Manuals Apply. Clear concrete cover as per detail.
- Reinforcing steel in uncased cast-in-place concrete pile to be placed as indicated on foundation detail.

## \* GENERAL NOTES \*

- CORNER BARS ARE TO BE 30"x 30" #6 BARS
- CONCRETE IS TO BE 3000 PSI @ 28 DAYS
- TOP MAT IS TO BE #3 BARS 12" O.C. BOTH WAYS
- CONCRETE IS TO BE 4" THICK
- STIRRUPS ARE TO BE #3 - 24" O.C.
- BEAM BARS ARE TO BE 4-#6 BARS TOP AND BOTTOM
- "Z" BARS AT DROP ARE TO BE #4 @ 12" O.C.
- EXTERIOR BEAMS ARE TO BE 42" IN DEPTH AND 12" WIDE
- INSIDE BEAMS ARE TO BE 30" DEEP AND 12" WIDE
- PROVIDE WITH 6" SELECT FILL
- EXTERIOR BEAMS ARE TO BE AT LEAST 12" INTO UNDISTURBED SOIL
- ANCHOR BOLTS ARE BE 8" AND 1/2" IN DIAM. AT PERIMETER OF SLAB @ 36" O.C.



Note:  
Builder/contractor to verify all dimensions, drop areas, floor penetrations, and block-out locations on site.



# Foundation Details

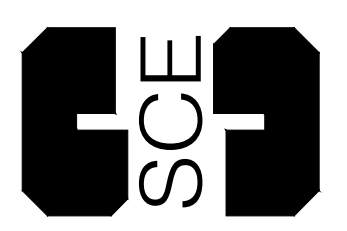
SCALE: 1/4" = 1'-0"

- Notes:
- Two top and bottom corner bars equal to the top bar sizes shall be installed at every exterior corner and Tee intersection.
  - Existing Vegetation to be removed and replaced with select fill.
  - The depth of the beams are as follows:  
A. Exterior Beam = 42" Min.  
B. Interior Beam = 30" Min.
  - Beam depth may be reduced with the Engineer approval, in any event the exterior beam must penetrate a minimum of 12" into undisturbed soil.

IF BEAM DEPTH GREATER THAN 36", PROVIDE ADDITIONAL REBARS, EVERY 36", EQUAL TO SIZE OF TOP STEEL AND TIED TO INSIDE OF STEEL SUPPORT.



Seda Consulting Engineers, Inc.  
Firm Registration: F 1601 (210) 308-0057  
6735 IH 10 West San Antonio, Texas 78201 e-mail: seda@saix.com  
SAN ANTONIO, TEXAS 78201  
CIVIL • STRUCTURAL • ENVIRONMENTAL • PLANNER



RESTAURANT REMODEL  
2018 SAN PEDRO  
SAN ANTONIO, TEXAS 78212

FMJR DESIGN  
19207 REATA TRAIL  
SAN ANTONIO, TEXAS 78258  
FAUSTINO MANCHA, JR.  
TEL: 210-887-3649

JOB NO: MELENDEZ-002  
DATE: 07/10/2025  
DRAWN BY: FMJR  
CHECKED BY: SED  
SHEET: 16 OF 16