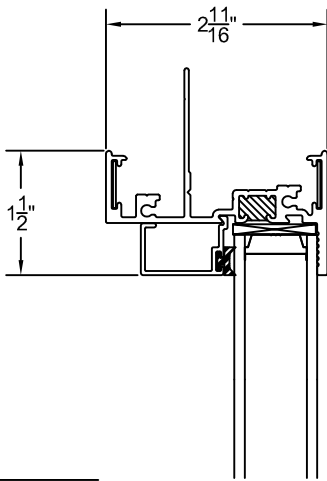
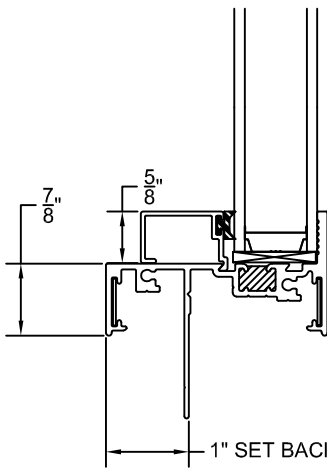


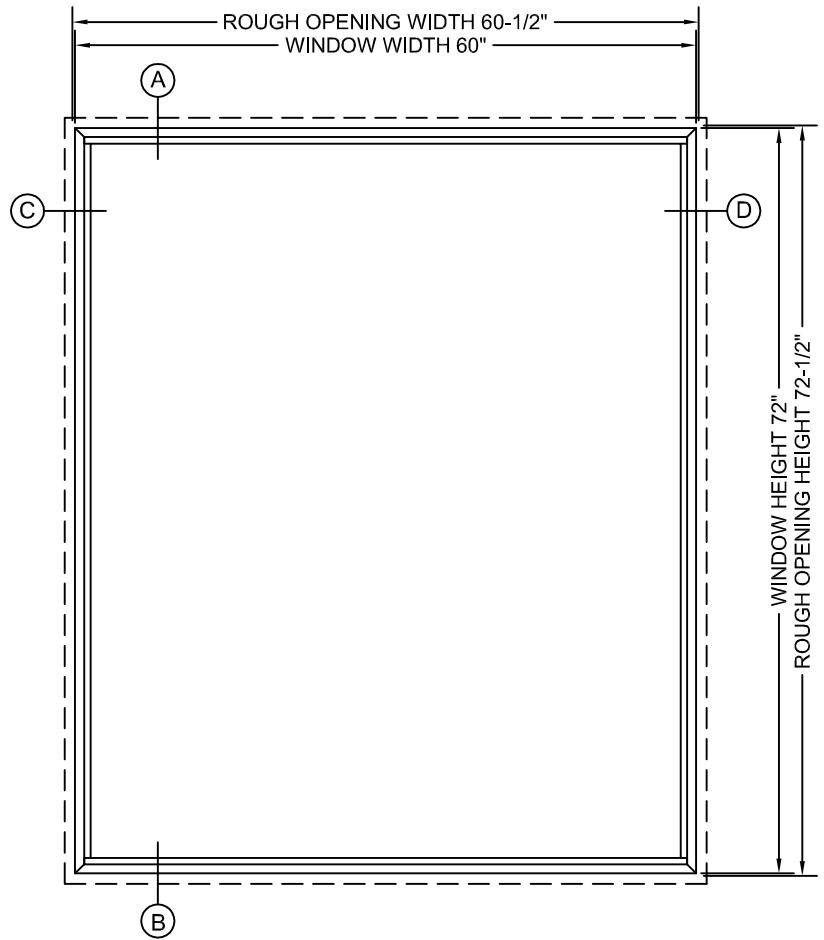
**(A) HEAVY PICTURE WINDOW
HEADER DETAIL**



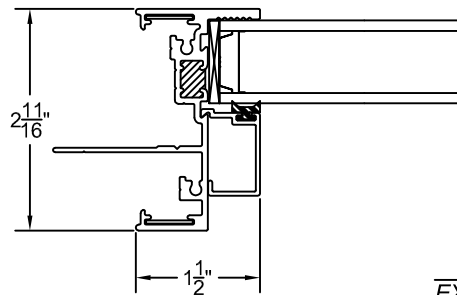
EXTERIOR



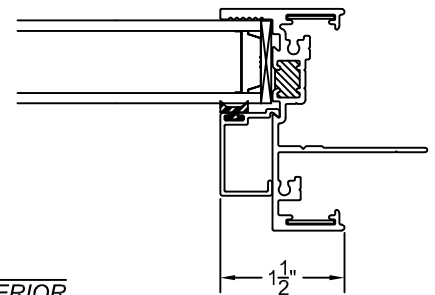
**(B) HEAVY PICTURE WINDOW
SILL DETAIL**



**(C) HEAVY PICTURE WINDOW
LEFT JAMB DETAIL**



**HEAVY PICTURE WINDOW (D)
RIGHT JAMB DETAIL**



EXTERIOR

SIZE LIMITATIONS:

- MINIMUM WIDTH / HEIGHT: 8 IN.
(BOTH DIRECTIONS)
- MAXIMUM WIDTH / HEIGHT: ONE DIMENSION MUST BE
7 FT. OR LESS,
CANNOT EXCEED 12 FT. ON EITHER SIDE.

STANDARD TOLERANCES FOR EXTRUDED SHAPES APPLY UNLESS SPECIFICALLY SHOWN OTHERWISE

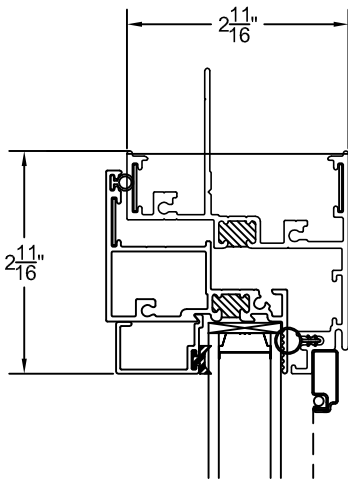


RAM INDUSTRIES

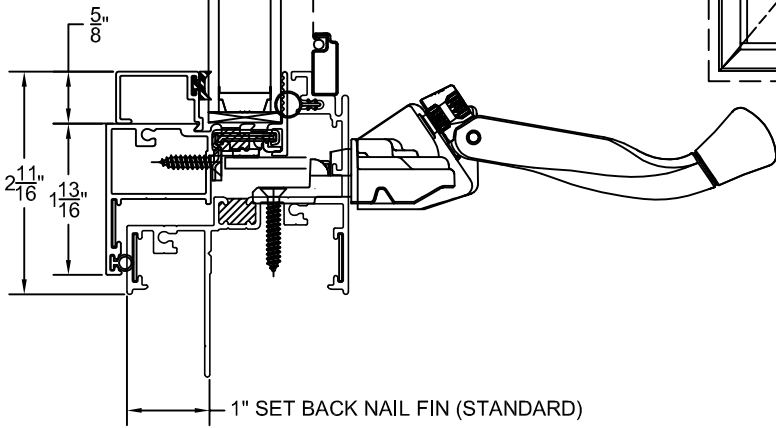
8600 COMMERCE PARK DR.
HOUSTON, TX 77036
PH: 281-495-9056
FX: 281-495-6778

S800 HEAVY PICTURE WINDOW

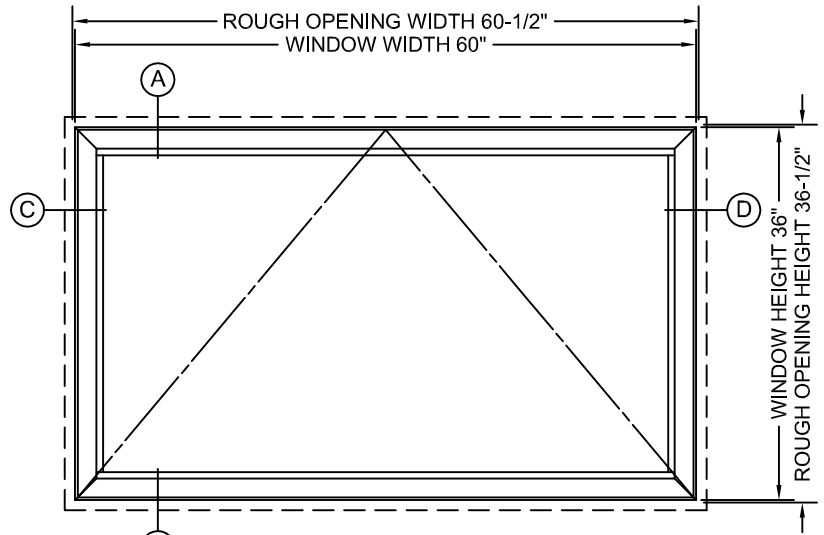
(A) AWNING WINDOW
HEADER DETAIL



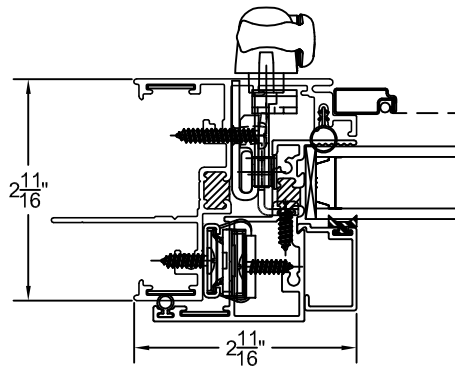
EXTERIOR



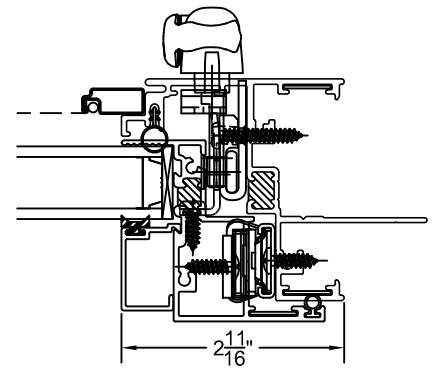
(B) AWNING WINDOW
SILL DETAIL



(C) AWNING WINDOW
LEFT JAMB DETAIL



AWNING WINDOW **(D)**
LEFT JAMB DETAIL



EXTERIOR

EGRESS:
- DOES NOT MEET EGRESS

SIZE LIMITATIONS:
- MINIMUM WIDTH: 18 IN.
- MINIMUM HEIGHT: 12 IN.
- MAXIMUM WIDTH: 72 IN.
- MAXIMUM HEIGHT: 72 IN.
- MAXIMUM SIZE: 108 U.I. OVERALL

STANDARD TOLERANCES FOR EXTRUDED SHAPES APPLY UNLESS SPECIFICALLY SHOWN OTHERWISE



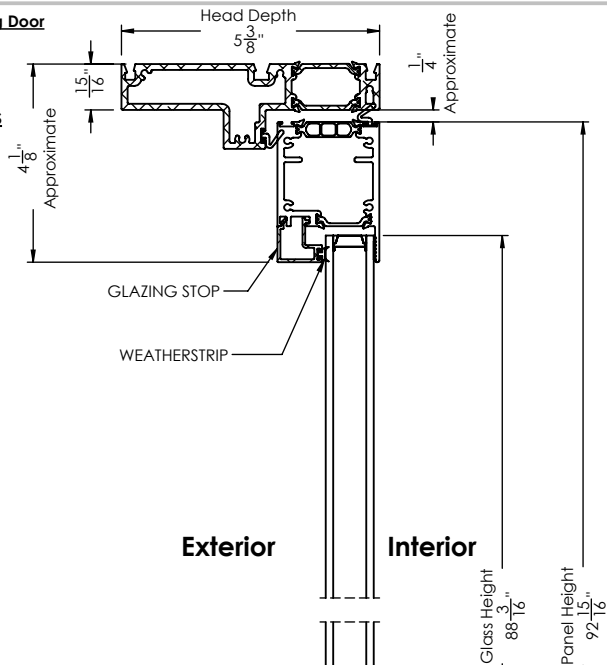
RAM INDUSTRIES

8600 COMMERCE PARK DR.
HOUSTON, TX 77036
PH: 281-495-9056
FX: 281-495-6778

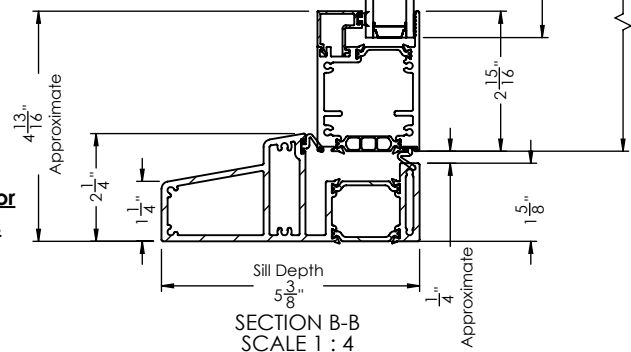
S990 AWNING WINDOW

RAM, S3100 Swing Door

Swing Door Head Details

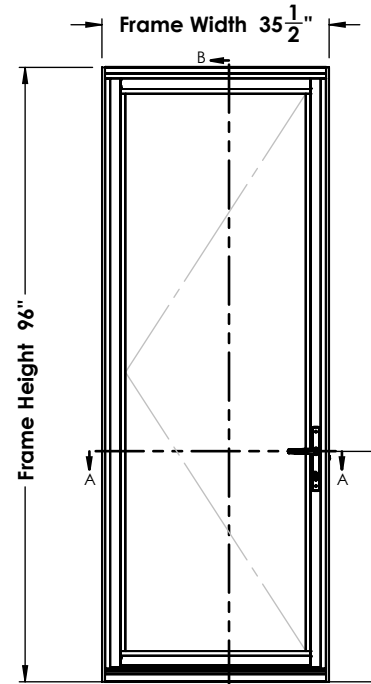


Swing Door Sill Details



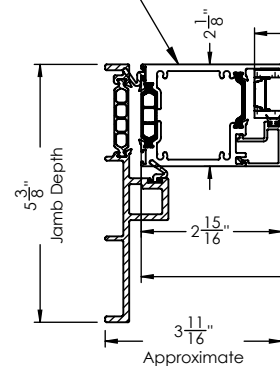
SECTION B-B
SCALE 1 : 4

ZONE		REV	DESCRIPTION	DATE	APPROVED
		0	Initial Release	11/1/2023	



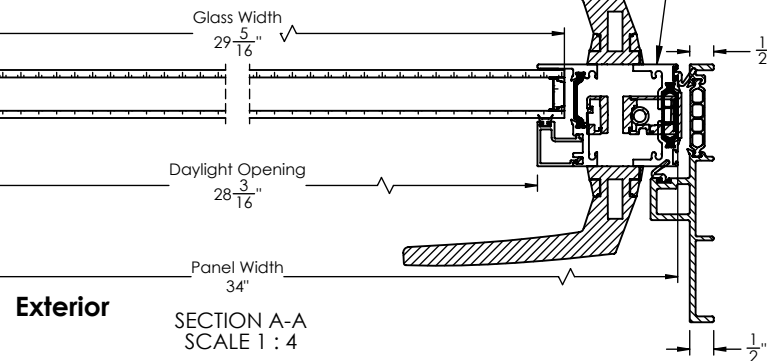
Exterior Elevation

Hinge Stile



Swing Door
Jamb Details

Lock Stile



Swing Door
Jamb Details

PROPRIETARY AND CONFIDENTIAL

THE INFORMATION CONTAINED IN THIS DRAWING IS THE SOLE PROPERTY OF RAM WINDOWS & DOORS. ANY REPRODUCTION IN PART OR AS A WHOLE WITHOUT THE WRITTEN PERMISSION OF RAM WINDOWS & DOORS IS PROHIBITED.



LEAD TIME		CUSTOMER	
GLASS WARRANTY		PROJECT	
FRAME WARRANTY		CITY	
FINISH WARRANTY		STATE	
U-FACTOR		OUTER GLASS	
SHGC		AIR SPACE	
OA GLASS THICKNESS	1"	INNER GLASS	

UNLESS OTHERWISE SPECIFIED:
DIMENSIONS ARE IN INCHES
TOLERANCES:

FRACTIONAL: ± 1/16
ANGULAR: MACH/BEND: ± 1
TWO PLACE DECIMAL ± 0.01
THREE PLACE DECIMAL ± 0.005

MATERIAL:

DO NOT SCALE DRAWING

DRAWN BY	CG	DATE	11/8/2023
ENG	MARK		
GTY.			
FINISH			
DP			
SCALE: 1:30			

RAM WINDOWS AND DOORS		
TITLE: S3100 SWING DOOR (INSWING)		
SIZE	WTS NUMBER	REV
A	WEIGHT: 144	SHEET 1 OF 4

FLUSH STEEL DOORS

6'8"



FLUSH STEEL DOOR

- Closed - cell polystyrene core maintains U - factor and will not hold moisture
- Galvanized, primed steel skin

Sizes Available		
Dimensions	Availability	Panels
2'0" x 6'8"	√	N/A
2'6" x 6'8"	√	N/A
2'8" x 6'8"	√	N/A
2'10" x 6'8"	√	N/A
3'0" x 6'8"	√	N/A
3'6" x 6'8"	√	N/A



Building Quality Doors Since 1866



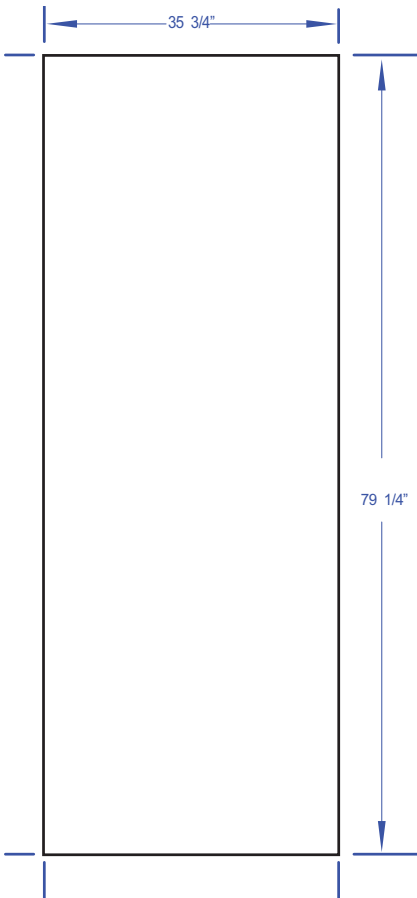
FLUSH STEEL DOORS

6'8"

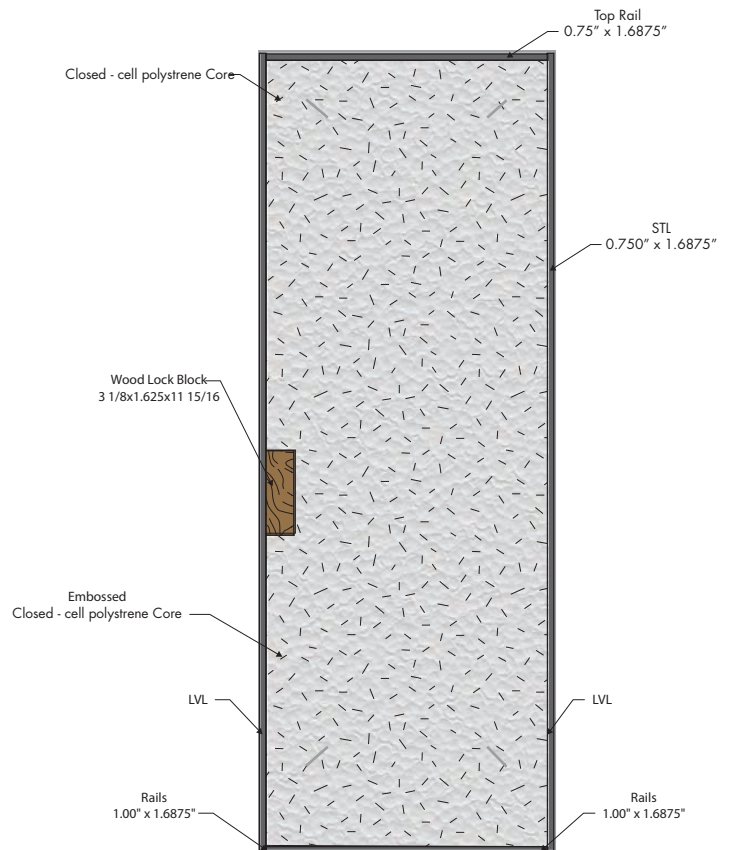


Standard Dimensions*

DOOR DIMENSIONS



CORE CONSTRUCTION



Door Size	Door Overall	Panel Height	Panel Width	Center Stile	Outer Stile
2'0" x 6'8"	79 1/4"	N/A	N/A	N/A	N/A
2'6" x 6'8"	79 1/4"	N/A	N/A	N/A	N/A
2'8" x 6'8"	79 1/4"	N/A	N/A	N/A	N/A
2'10" x 6'8"	79 1/4"	N/A	N/A	N/A	N/A
3'0" x 6'8"	79 1/4"	N/A	N/A	N/A	N/A
3'6" x 6'8"	79 1/4"	N/A	N/A	N/A	N/A